

# DIAMOND Fiber Optic Components

## CABLE ASSEMBLIES AND ADAPTERS

### SPECIFICATIONS

	MULTIMODE 0° PC	SINGLE MODE 0° PC	UNITS	TEST CONDITIONS
Insertion Loss (IL)	typ. 0.15 max. 0.5	typ. 0.2 max. 0.4	dB	IEC 61300-3-4; $\lambda = 1300/1550\text{nm}$
Return Loss (RL)	50	typ. 40	dB	IEC 61300-3-6; $\lambda = 1300/1550\text{nm}$
Repeatability of IL	max $\pm 0.1$		dB	IEC 61300-2-2; $\lambda = 1300/1550\text{nm}$
Service life	500 mate/demate cycles			
Operating temperature	-40/+85*		°C	
Storage temperature	-40/+90*		°C	

\* May be further limited by cable specifications.

### APPLICATIONS

- ▶ Telecommunications, CATV, LAN, MAN, WAN, Test & Measurement, Industry, Medical

### STANDARDS

- ▶ IEC 61 754-2 "Fiber optic connector interfaces - Type - BFOC/2.5 connector family"
- ▶ CECC 86 120 "Selectional specification - connector sets for optical fibers and cables - Type - BFOC/2.5"

### DESIGN/MATERIALS

Ferrule:  $\varnothing$  2.5 mm, spring loaded (10 N), antirotation keyed  
 Adapter: Floating zirconia split sleeve in Ni-plated Zamak housing with bayonet locking mechanism

### AVAILABLE AS

- ▶ Terminated connector
- ▶ Connector set, (to be terminated with Diamond special equipments)

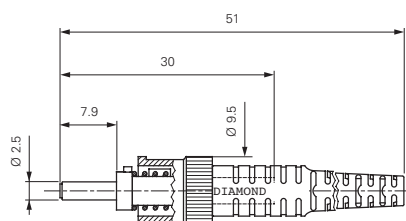
### CONNECTOR TYPES AND DIMENSIONS

ST™ Standard connectors 900  $\mu\text{m}$  - 3 mm boot style

Available types: **ST™ Standard PC**

Ferrule material: Zirconia/metal insert

External parts: Ni-plated Zamak/Ni-plated brass



ST™ Standard

SINGLE MODE PC  
MULTIMODE PC



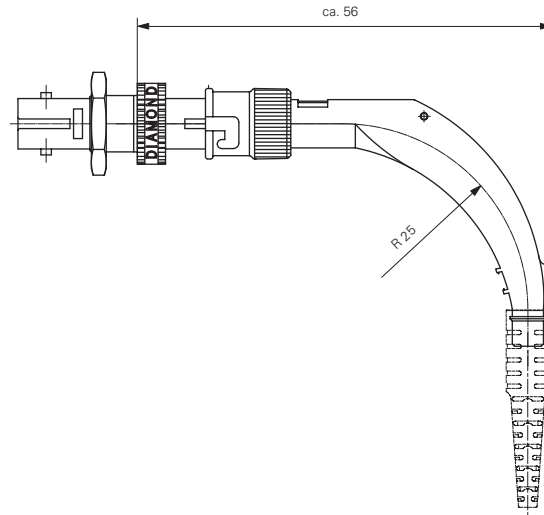
DIAMOND SA • Via dei Patrizi 5 • CH-6616 Losone • Switzerland  
 Tel. +41 91 785 45 45 • Fax +41 91 785 45 00 • e-mail info@diamond-fo.com

www.diamond-fo.com

Specifications subject to change  
without notice

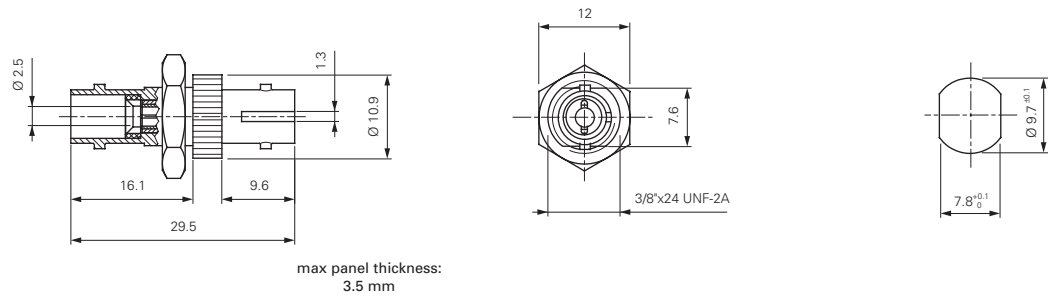
BDD 1950075\_05\_14

## ST™ Standard connectors 900 μm - 3 mm 90° boot style

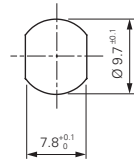


## ADAPTER TYPE AND DIMENSIONS

## ST™ Metal mating adapter



## CUTOUT DIMENSIONS



**NOTE** Diamond's standard **boot** colors are as follows: Black for MM PC 50um, Beige for MM PC 62.5um, Blue for SM PC. Other colors are available upon request.

## ORDER INFORMATION

Please refer to the part numbers provided in the separate P/N list.

For other configurations, please contact your nearest local Diamond representative or fill in the contact form available on the [www.diamond-fo.com](http://www.diamond-fo.com) website.

Other versions available upon request