

# DIAMOND Fiber Optic Components

## CABLE ASSEMBLIES AND ADAPTERS

The DIAMOND Crimp&Cleave System is designed for field termination of 200/230  $\mu\text{m}$  HCS-Fiber.

Typical uses include point to point installations over short distance requiring low data rate transmission, industrial applications such as machine controls or sensors.

### AVAILABLE AS

- ▶ Connector set, (to be terminated with Diamond special equipment)

### SPECIFICATIONS

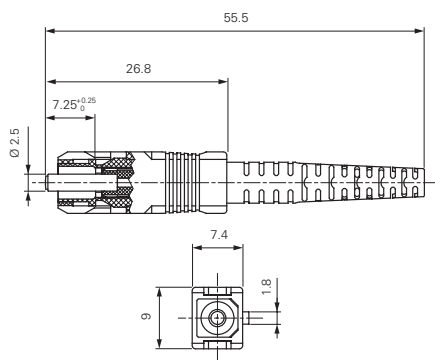
Insertion Loss	0.8 dB typ.
Service life	1000 mate/demate cycles (According to field experience)
Operating temperature	-40/+85° C*
Storage temperature	-40/+90° C*

\* May be further limited by cable specifications

### CONNECTOR TYPE AND DIMENSIONS

SC Crimp&Cleave simplex connectors 900  $\mu\text{m}$  - 3 mm boot style

Available types: **SC Crimp&Cleave**  
Ferrule material: Zirconia/copper-nickel alloy insert  
External parts: Plastic black

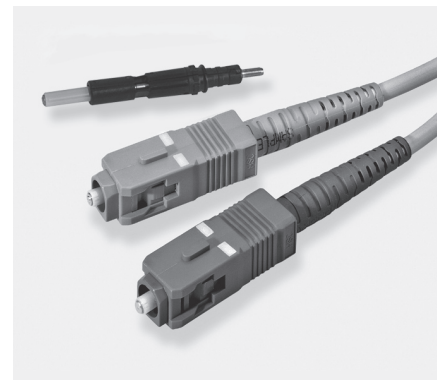


### ADAPTER TYPE AND DIMENSIONS

Available types: **SC Crimp&Cleave mating adapter**  
Material: Plastic black  
Mating sleeve: Zirconia

## SC Crimp&Cleave

MULTIMODE HCS



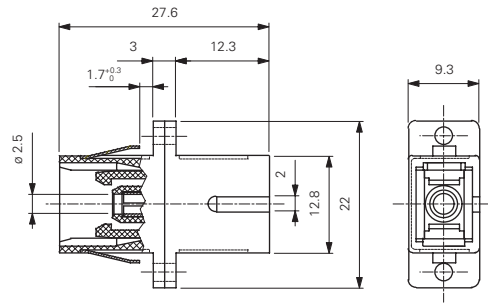
DIAMOND SA • Via dei Patrizi 5 • CH-6616 Losone • Switzerland  
Tel. +41 91 785 45 45 • Fax +41 91 785 45 00 • e-mail info@diamond-fo.com

[www.diamond-fo.com](http://www.diamond-fo.com)

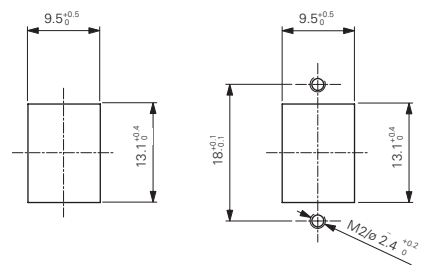
Specifications subject to change  
without notice

BDD 1950148 048

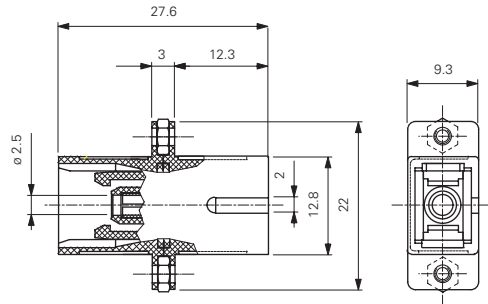
SC C&C mating adapter screw and clip fixing type



CUTOUT DIMENSIONS



SC C&C mating adapter with screws-nut fixation



**NOTE** Diamond standard colors for connector bodies, cable boots and mating adapter housings are black. Other colors available upon request. SC Crimp&Cleave available also as Duplex version. For more information please contact your local DIAMOND representative.

**ORDER INFORMATION**

To order connector sets and mating adapters, please refer to the part numbers provided in the enclosed P/N list.

**TERMINATION KIT**

The DIAMOND Crimp&Cleave kit includes all tooling, materials, and instructions to allow the installer to quickly and easily install connectors.

**ORDER INFORMATION**

Please refer to the Crimp&Cleave Termination Kit P/N list.

**BASIC KIT CONTENTS**

- 1 Crimp tool
- 2 Fiber stripper
- 3 Fiber cleaver
- 4 Cable stripper
- 5 Scissors
- 6 E-2000™ pliers

**OTHER PLIERS\* FOR HOUSING ASSEMBLY**

- SC pliers
- FC pliers
- ST™ pliers

\* Separately order



Dimensions: ca. 455 x 368 x 166 mm  
 Weight: ca. 5 Kg (11 lbs)