

DIAMOND

Fiber Optic Components

CABLE ASSEMBLIES AND ADAPTERS

LSA (DIN)

SINGLE MODE PC/APC
MULTIMODE PC

SPECIFICATIONS

	MULTIMODE 0° PC	SINGLE MODE 0° PC	SINGLE MODE 8° APC	UNITS	TEST CONDITIONS
Insertion Loss (IL)	typ. 0.15 max. 0.4	typ. 0.2 max. 0.4	typ. 0.2 max. 0.4	dB	IEC 61300-3-4; $\lambda = 1300/1550\text{nm}$
Return Loss (RL)	min. 40	typ. 50	min. 70*	dB	IEC 61300-3-6; $\lambda = 1300/1550\text{nm}$
Repeatability of IL	max. ± 0.1			dB	IEC 61300-2-2; $\lambda = 1300/1550\text{nm}$
Service life	1000 mate/demate cycles				According to field experience
Operating temperature	-40/+85**			°C	
Storage temperature	-40/+90**			°C	

* Measured with high precision reflectometer HP 8504A
** May be further limited by cable specifications

APPLICATIONS

- ▶ Telecommunications, CATV, LAN, MAN, WAN, Test & Measurement, Industry, Medical, Sensors

STANDARDS

- ▶ IEC 61 754-3 "Fiber optic connector interface-Type LSA connector family"
- ▶ CECC 86 135-801 (Type LSA)
- ▶ CECC 86 135-802 (Type LSA-HRL)

DESIGN/MATERIALS

- ▶ Ferrule: $\varnothing 2.5$ mm, spring loaded (15 N), anti-rotation keyed
- ▶ Adaptor: Floating zirconia resilient sleeve with copper-nickel alloy housing
- ▶ Cable retention: Decoupled from ferrule on cables with $\varnothing \leq 3.5$ mm

AVAILABLE AS

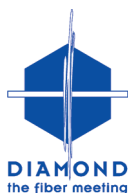
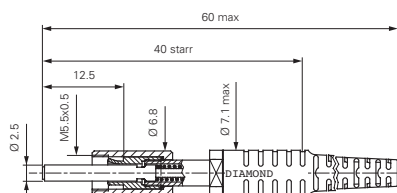
- ▶ Terminated connector
- ▶ Connector set, (to be terminated with Diamond special equipment)

CONNECTOR TYPES AND DIMENSIONS

LSA (DIN) connectors 900 μm - 3 mm boot style

Available types: **LSA (DIN) PC**
LSA (DIN) APC

Ferrule material: Zirconia/metal insert
External parts: Ni-plated brass

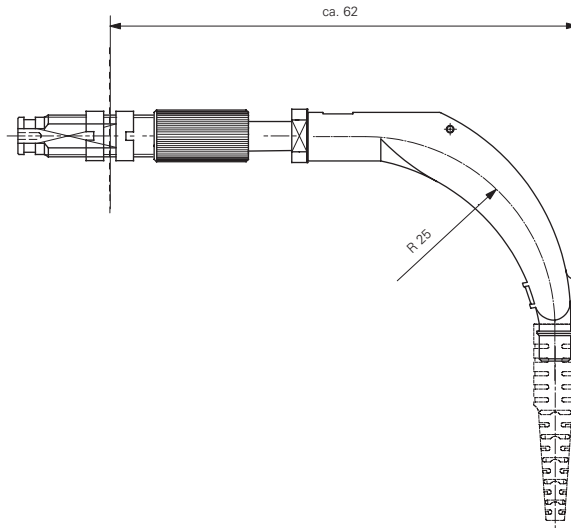


DIAMOND SA • Via dei Patrizi 5 • CH-6616 Losone • Switzerland
Tel. +41 91 785 45 45 • Fax +41 91 785 45 00 • e-mail info@diamond-fo.com

www.diamond-fo.com

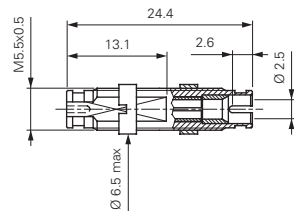
Specifications subject to change
without notice

BDD 1950073 05_14

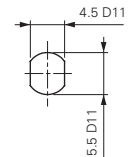
LSA (DIN) connectors 900 μm - 3 mm 90° boot style

ADAPTER TYPE AND DIMENSIONS

LSA (DIN) mating adapter



CUTOUT DIMENSIONS



NOTE Diamond's standard **boot** colors are as follows: Black for MM PC 50 μm , Beige for MM PC 62.5 μm , Blue for SM PC, and Green for SM APC. Other colors are available upon request.

ORDER INFORMATION

Please refer to the part numbers provided in the separate P/N list.

For other configurations, please contact your nearest local Diamond representative or fill in the contact form available on the www.diamond-fo.com website.