

# DIAMOND

## Fiber Optic Components

### CABLE ASSEMBLIES AND ADAPTERS

### SPECIFICATIONS

	MULTIMODE 0° PC	SINGLE MODE 0° PC	SINGLE MODE 8° APC	UNITS	TEST CONDITIONS
Insertion Loss (IL)	typ. 0.15 max. 0.4	typ. 0.2 max. 0.4	typ. 0.2 max. 0.4	dB	IEC 61300-3-4; $\lambda = 1300/1550\text{nm}$
Return Loss (RL)	min. 40	50	min. 70*	dB	IEC 61300-3-6; $\lambda = 1300/1550\text{nm}$
Repeatability of IL	max $\pm 0.1$			dB	IEC 61300-2-2; $\lambda = 1300/1550\text{nm}$
Service life	1000 mate/demate cycle			-	According to field experience
Operating temperature	-40/+85**			°C	
Storage temperature	-40/+90**			°C	

\* Measured with high precision reflectometer

\*\* May be further limited by cable specifications

### APPLICATIONS

- ▶ Telecommunications, CATV, LAN, MAN, WAN, Test & Measurement, Industry, Medical

### STANDARDS

- ▶ IEC 61 754-13 "Fiber optic interfaces - Type FC-PC connector family"
- ▶ CECC 86 115-801 "Detail specification-connector set of assessed quality for optical fibers and cables - Style FC"

### DESIGN/MATERIALS

- ▶ Ferrule:  $\varnothing 2.5$  mm, spring loaded (15 N), antirotation keyed
- ▶ Adaptor: Floating zirconia sleeve in Ni-plated brass housing

### AVAILABLE AS

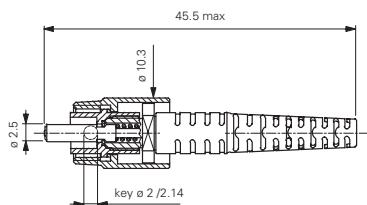
- ▶ Terminated connector
- ▶ Connector set, (to be terminated with Diamond special equipment)

### CONNECTOR TYPES AND DIMENSIONS

FC Standard connectors 900  $\mu\text{m}$  - 3 mm boot style

Available types: **FC Standard PC (Key  $\varnothing 2.14$  mm)**  
**FC Standard APC (Key  $\varnothing 2$  mm)**  
**FC Standard APC (Key  $\varnothing 2.14$  mm)**

Ferrule material: Zirconia/metal insert  
 External parts: Ni-plated brass



## FC Standard

SINGLE MODE PC/APC  
 MULTIMODE PC



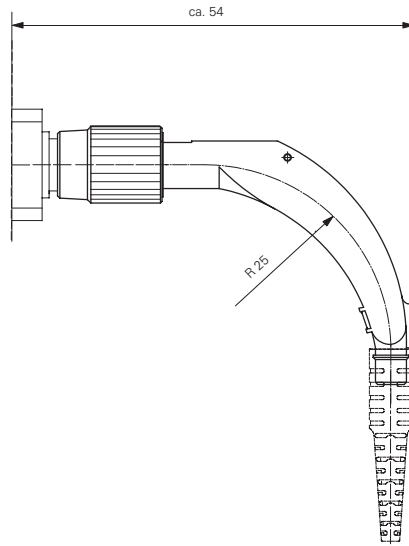
DIAMOND SA • Via dei Patrizi 5 • CH-6616 Losone • Switzerland  
 Tel. +41 91 785 45 45 • Fax +41 91 785 45 00 • e-mail info@diamond-fo.com

[www.diamond-fo.com](http://www.diamond-fo.com)

Specifications subject to change  
 without notice

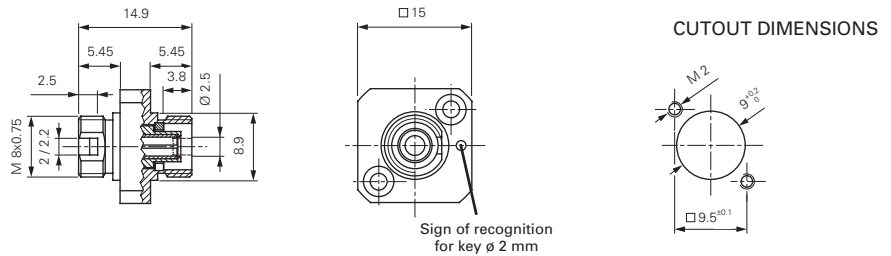
BDD 1950067 05\_14

FC Standard connectors 900 μm - 3 mm 90° boot style

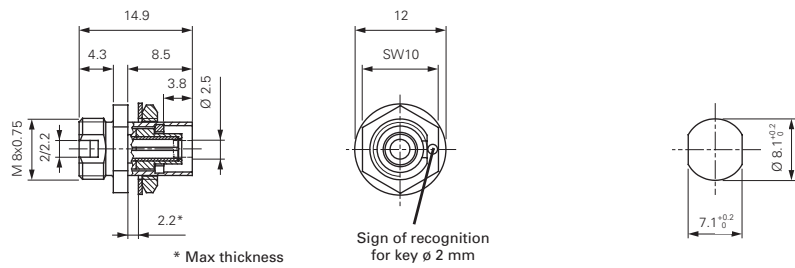


ADAPTER TYPES AND DIMENSIONS

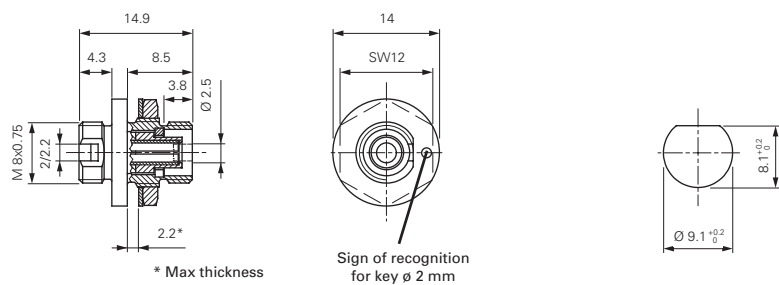
FC mating adapter square flange



FC mating adapter hexagonal flange



FC mating adapter round flange



**NOTE** Diamond's standard **boot** colors are as follows: Black for MM PC 50μm, Beige for MM PC 62.5μm, Blue for SM PC, and Green for SM APC. Other colors are available upon request.

ORDER INFORMATION

Please refer to the part numbers provided in the separate P/N list.

For other configurations, please contact your nearest local Diamond representative or fill in the contact form available on the [www.diamond-fo.com](http://www.diamond-fo.com) website.

Other versions available upon request